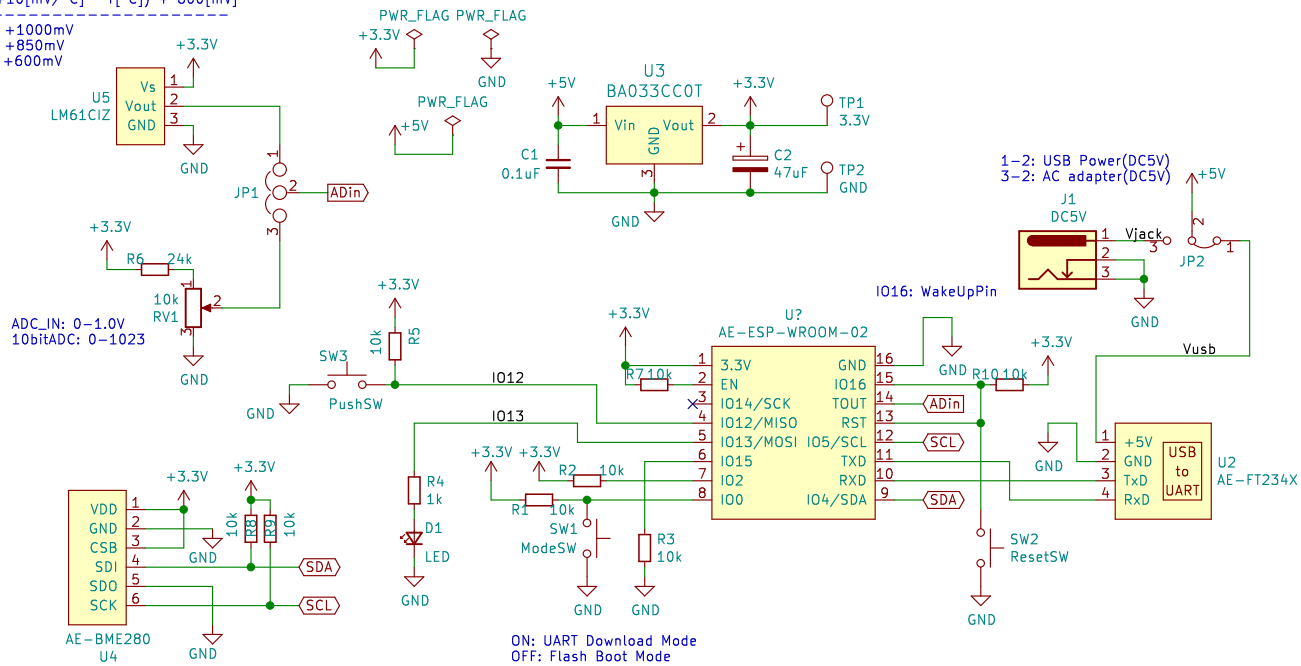


Sheet: /		Date: / /	
File: DataLoggerOyaki_RX621_5.sch			
Title: DataLoggerOyaki_RX621(XBee/BLE_WIFI_CAN)			
Size: A4	Date: / /		Rev:
KiCad E.D.A. kicad (5.1.8)-1			Id: 1/1

$$V_o = (+10[mV/^{\circ}C] * T[^{\circ}C]) + 600[mV]$$

40°C / +1000mV
 25°C / +850mV
 0°C / +600mV



Sheet: /		File: ESP-WROOM02_I2C.sch	
Title: ESP-WROOM-02(BME280:I2C_LowPower)			
Size: A4	Date:	Rev:	
KiCad E.D.A. kicad (5.1.8)-1		Id: 1/1	